

Evie's Adventure

500-2034

Equipment Manufacturer

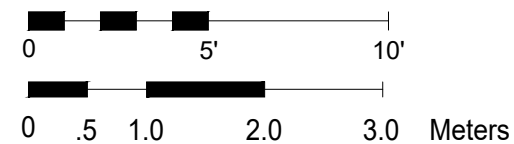
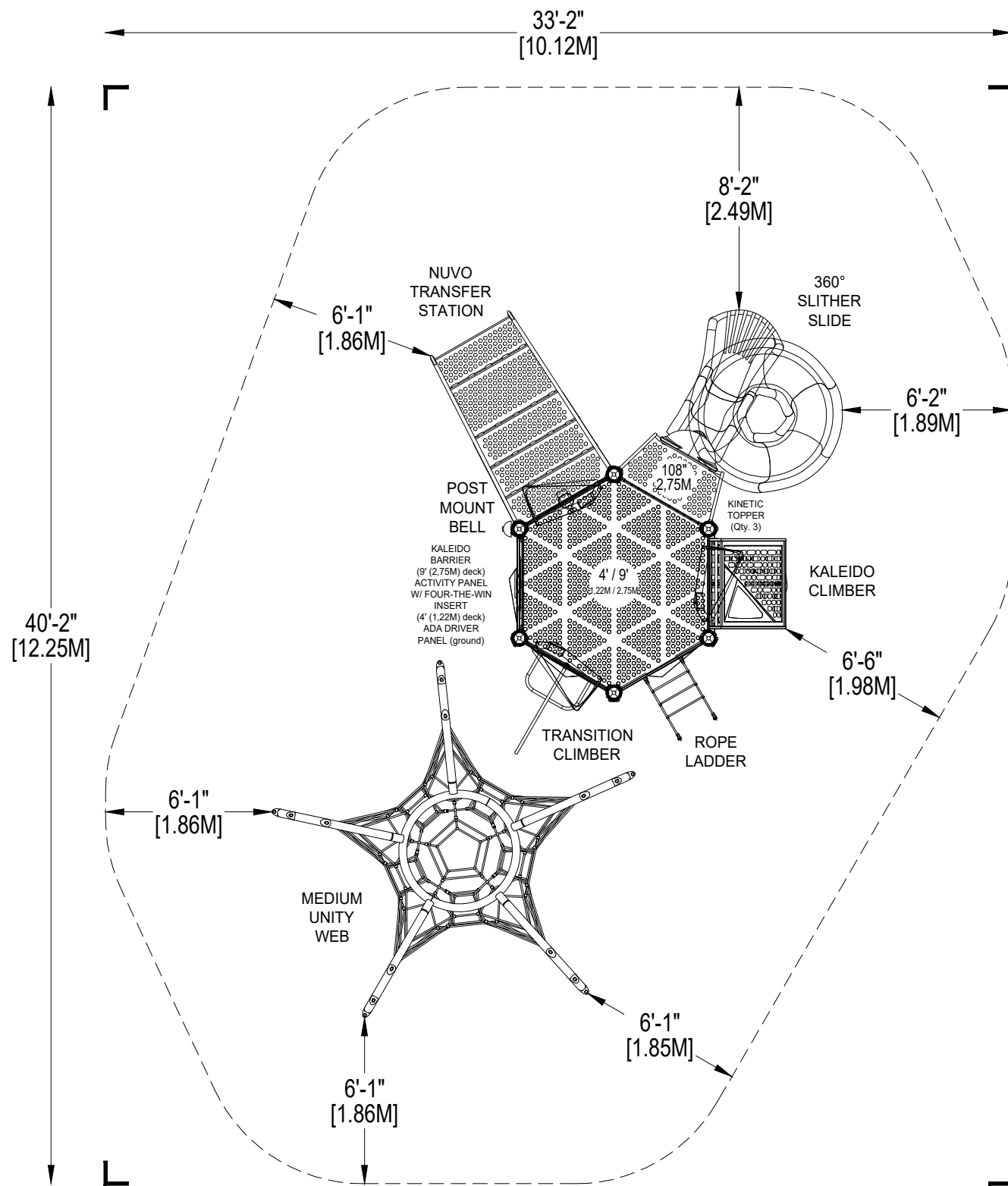


Evie's Adventure

500-2034

Equipment Manufacturer





*PLAYGROUND SUPERVISION REQUIRED



PLAYWORLD SYSTEMS, INC.
 1000 Buffalo Road
 Lewisburg, PA
 17837-9795 USA

EQUIPMENT SIZE:
20'11" x 25'11" x 19'7"
 6,38M x 7,9M x 5,97M

USE ZONE:
33'2" x 40'2"
 10,12M x 12,25M

AREA: **1,018 SqFt.** PERIMETER: **118'7"**
 94,57 SqM. 36,14M

FALL HEIGHT:
9 Ft.
 2,75M

USER CAPACITY: **51** AGE GROUP: **5-12**

ADA SCHEDULE	Total Elevated Play Activities: 6		
	Total Ground-Level Play Activities: 2		
	Accessible Elevated Activities	Accessible Ground-Level Activities	Accessible Ground-Level Play Types
Required	3	2	2
Provided	3	2	2

✓ ASTM F1487-11
 ✓ CPSC #325



PROJECT NO:
500-2034

SCALE:
3/16"=1'-0"

DRAWN BY:
M. MERTZ

Paper Size

DATE:
09-JAN-20

B

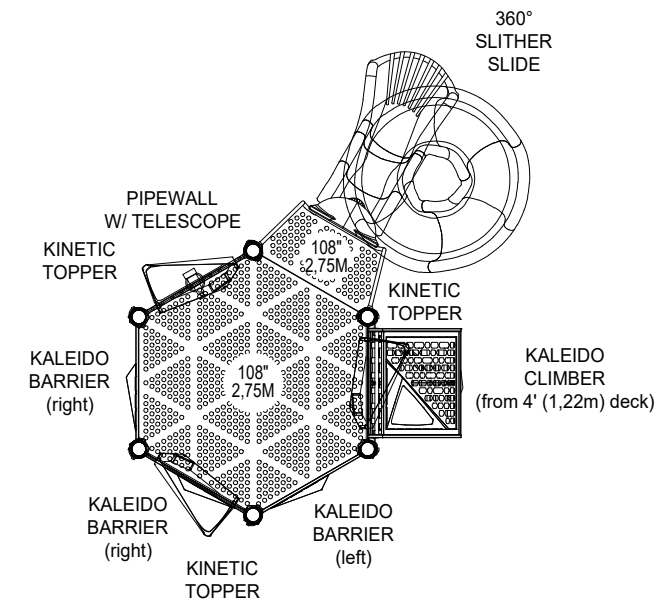
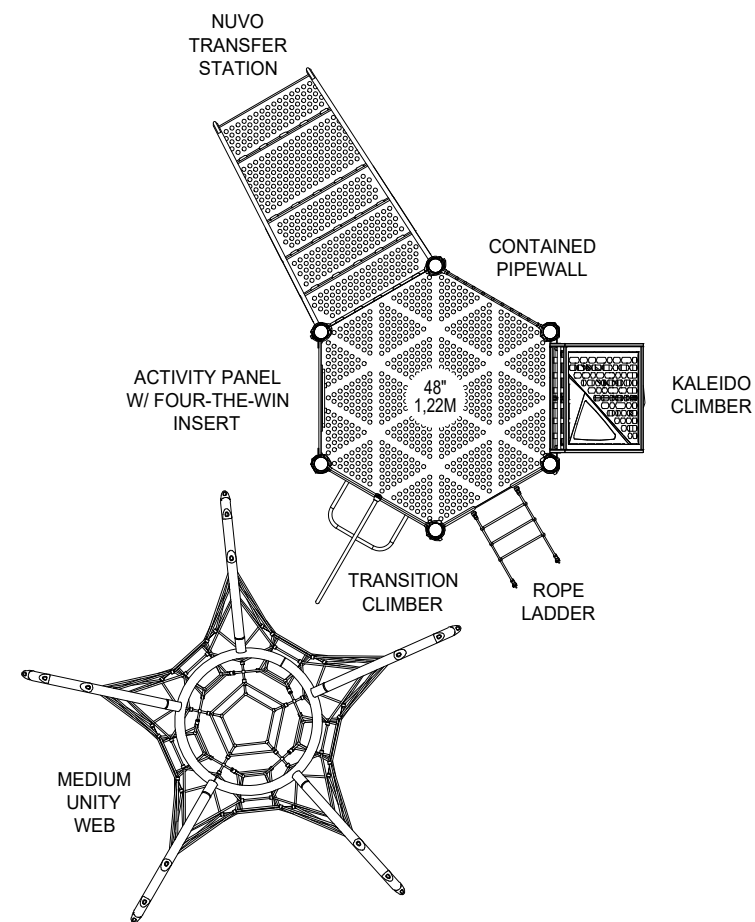
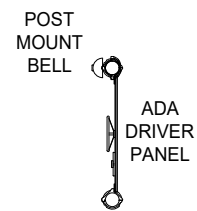
EVIE'S ADVENTURE
 CATALOG PRE-DESIGN



PLAYWORLD SYSTEMS, INC.
 1000 Buffalo Road
 Lewisburg, PA
 17837-9795 USA

NOTES:

- 1) This tower detail is a diagram of the individual level layouts of the tower portion of your play structure, showing the detailed component layout of each level.
- 2) This tower detail is not to scale and is meant for reference purposes only. It should not be used in obtaining accurate measurements for any of the equipment shown unless otherwise noted on the drawing.
- 3) This design configuration is the property of this firm and Playworld Systems® and may not be reproduced or used in any manner without the expressed written consent of this firm and Playworld Systems®.



GROUND LEVEL

4' (1,22M) DECK LEVEL

9' (2,75M) DECK LEVEL

TOWER DETAIL:
Detail 1

PROJECT NO: 500-2034	SCALE: NOT TO SCALE
DRAWN BY: M. MERTZ	Paper Size B
DATE: 09-JAN-20	

*PLAYGROUND SUPERVISION REQUIRED

Evie's Adventure

Design Number: 500-2034 - Bill Of Material

Ref. No.	Part No.	Description	Quantity
Posts			
1	ZZPM0399	5in OD X 250in STEEL POST W/ RIVETED CAP	6
Decks & Kick Plates			
2	ZZPM0619	HEX COATED DECK ASSEMBLY	2
ADA Items			
3	ZZPM0684	NUVO- 48in TRANSFER STATION	1
Slides			
4	ZZPM3216	SLITHER SLIDE 2.0 BALCONY ENTRY/EXIT	1
5	ZZUN3207	SLITHER SLIDE 2.0 (STRAIGHT SECTION)	1
6	ZZUN3217	SLITHER SLIDE 2.0 (RIGHT 120° SECTION)	3
7	ZZUN3247	SLITHER SLIDE 2.0 SUPPORT LEG 5ft-6in	1
8	ZZUN3256	SLITHER SLIDE 2.0 SUPPORT LEG 2ft-6in	1
Activity Panels			
9	ZZPM4406	ACCESSIBLE DRIVING PANEL	1
10	ZZPM4671	PM PANEL FRAME- DECK LEVEL	1
11	ZZUN4280	TELESCOPE (PIPE WALL MOUNT FOR 4in RUNG CENTERS)	1
12	ZZUN4676	FOUR-THE-WIN INSERT	1
Barriers			
13	ZZPM4090	CENTERLINE PIPE WALL BARRIER	1
14	ZZPM4740	CONTAINMENT PIPE WALL (HEX TOWER)	1
SkyTower Barriers			
15	ZZPM4373	KALEIDOBARRIER 44in TALL- LEFT	1
16	ZZPM4374	KALEIDOBARRIER 44in TALL- RIGHT	2
Climbers			
17	ZZPM7237	ROPE LADDER- 48in DECK	1
18	ZZPM8939	TRANSITION CLIMBER- PLAYMAKER	1
SkyTower Climbers			
19	ZZPM6730	KALEIDOCCLIMBER	1
Audible Activities			
20	ZZPM4556	7in BELL (POST MOUNT)	1
Roofs & Arches			
21	ZZPM4451	KINETIC TOPPER- STRAIGHT CLAMPS	3
Additional Tool & Maintenance Kits			
22	ZZUN1471	INSTALLER HARDWARE KIT	1
23	ZZUN9910	SURFACING WARNING LABEL KIT	1
24	ZZUN9930	PIPE SYSTEMS MAINTENANCE KIT W/ AEROSOL	1
25	ZZXXGNGUID	GENERAL INSTALLERS GUIDE	1

Evie's Adventure

Design Number: 500-2034 - Compliance and Technical Data

Reference Document: ASTM F1487

Ref. No.	Part No.	Qty.	Description	Unit ASTM Status	Total Weight (lbs)	Pre-Consumer Recycled Content (lbs)	Post-Consumer Content (lbs)	CO2e Footprint (kgs)	Users	Install Hours	Concrete (Yds3)	Active Play Events
1	ZZXX1114S	1	UNITY WEB - MEDIUM	Certified	798.07			6,993	20	4.00	0.00	1
2	ZZXX1117	1	UNITY WEB FOOTING KIT- SMALL	Certified	124.89			59	0	3.50	0.30	0
3	ZZPM0399	6	5in OD X 250in STEEL POST W/ RIVETED CAP	N/A	765.60			59	0	6.00	1.08	0
4	ZZPM0619	2	HEX COATED DECK ASSEMBLY	Certified	457.44			1,275	16	4.00	0.00	0
5	ZZPM0684	1	NUVO- 48in TRANSFER STATION	Certified	389.40			418	3	4.00	0.12	0
6	ZZPM3216	1	SLITHER SLIDE 2.0 BALCONY ENTRY/EXIT	Certified	166.60			648	2	2.50	0.03	1
7	ZZUN3207	1	SLITHER SLIDE 2.0 (STRAIGHT SECTION)	Certified	19.59			128	0	0.25	0.00	0
8	ZZUN3217	3	SLITHER SLIDE 2.0 (RIGHT 120° SECTION)	Certified	125.04			695	0	0.75	0.00	0
9	ZZUN3247	1	SLITHER SLIDE 2.0 SUPPORT LEG 5ft-6in	Certified	19.41			70	0	0.25	0.03	0
10	ZZUN3256	1	SLITHER SLIDE 2.0 SUPPORT LEG 2ft-6in	Certified	12.81			59	0	0.25	0.03	0
11	ZZPM4406	1	ACCESSIBLE DRIVING PANEL	Certified	31.59			237	1	0.50	0.00	1
12	ZZPM4671	1	PM PANEL FRAME- DECK LEVEL	Certified	46.46			205	0	1.00	0.00	0
13	ZZUN4280	1	TELESCOPE (PIPE WALL MOUNT FOR 4in RUNG CENTERS)	Certified	12.33			61	1	0.50	0.00	1
14	ZZUN4676	1	FOUR-THE-WIN INSERT	Certified	15.08			278	2	0.25	0.00	1
15	ZZPM4090	1	CENTERLINE PIPE WALL BARRIER	Certified	37.22			95	0	0.50	0.00	0
16	ZZPM4740	1	CONTAINMENT PIPE WALL (HEX TOWER)	Certified	56.36			138	0	1.00	0.00	0
17	ZZPM4373	1	KALEIDOBARRIER 44in TALL- LEFT	N/A	53.40			TBD	0	1.00	0.00	0
18	ZZPM4374	2	KALEIDOBARRIER 44in TALL- RIGHT	N/A	106.80			TBD	0	2.00	0.00	0
19	ZZPM7237	1	ROPE LADDER- 48in DECK	Certified	65.35			366	1	2.00	0.06	1
20	ZZPM8939	1	TRANSITION CLIMBER- PLAYMAKER	N/A	60.14			233	2	2.50	0.00	1
21	ZZPM6730	1	KALEIDOCCLIMBER	N/A	409.90			TBD	2	2.00	0.00	1
22	ZZPM4556	1	7in BELL (POST MOUNT)	Certified	4.93			43	1	0.25	0.00	1
23	ZZPM4451	3	KINETIC TOPPER- STRAIGHT CLAMPS	N/A	158.70			TBD	0	9.00	0.00	0
24	ZZUN1471	1	INSTALLER HARDWARE KIT	N/A				57				
25	ZZUN9910	1	SURFACING WARNING LABEL KIT	Certified	0.05			1	0	0.25	0.00	0
26	ZZUN9930	1	PIPE SYSTEMS MAINTENANCE KIT W/ AEROSOL	N/A				90				



Evie's Adventure

Design Number: 500-2034 - Compliance and Technical Data

Reference Document: ASTM F1487

Ref. No.	Part No.	Qty.	Description	Unit ASTM Status	Total Weight (lbs)	Pre-Consumer Recycled (lbs)	Post-Consumer Content (lbs)	CO2e Footprint (kgs)	Users	Install Hours	Concrete (Yds3)	Active Play Events
27	ZZXXGNGUIC	1	GENERAL INSTALLERS GUIDE	N/A				1				
Totals:					3,937.16	475	1,034	12,207	51	48.25	1.65	9
					1,771.72 Kg	214 Kg	465 Kg	12 Metric Tons				1.25 m3



Evie's Adventure

Design Number: 500-2034 - Compliance and Technical Data

Reference Document: ASTM F1487

Ref. No.	Part No.	Qty.	Description	Unit ASTM Status	Total Weight (lbs)	Pre-Consumer Recycled Content (lbs)	Post-Consumer Content (lbs)	CO2e Footprint (kgs)	Users	Install Hours	Concrete (Yds3)	Active Play Events
----------	----------	------	-------------	------------------	--------------------	-------------------------------------	-----------------------------	----------------------	-------	---------------	-----------------	--------------------

ASTM F1487

The lay-out for this custom playscape, design number 500-2034, has been configured to meet the requirements of the ASTM F1487 standard. In addition, each of the above components listed as "Certified" have been tested and are IPEMA certified. Components listed as "Not Applicable" do not fall within the scope of the ASTM F1487 standard and have not been tested. IPEMA certification can be verified on the IPEMA website, www.ipema.org. In the interest of playground safety, IPEMA provides a Third Party Certification Service which validates compliance.

2010 ADA Standards for Accessible Design

The lay-out was also designed to meet the 2010 Standards published 15-Sep-2010, by the Department of Justice when installed over a properly maintained surfacing material that is in compliance with ASTM F1951 "Accessibility of Surface Systems Under and Around Playground Equipment" as well as ASTM F1292, "Impact Attenuation of Surfacing Materials Within the Use Zone of Playground Equipment", appropriate for the fall height of the structure.

Installation Times

Installation times are based on one experienced installer. A crew of three experienced individuals can perform the installation within the given time, each member working 1/3 of the given hours. [Eg. Installation Time = 30 hours. For a crew of three, each member will work 10 hours on the installation for a total of 30 hours on the project.]

Carbon Footprint

The CO2e (carbon footprint given in Kilograms and Metric Tons) listed above is a measure of the environmental impact this play structure represents from harvesting raw materials to the time it leaves our shipping dock. Playworld Systems nurtures a total corporate culture that is focused on eliminating carbon producing processes and products, reducing our use of precious raw materials, reusing materials whenever possible and recycling materials at every opportunity. Playworld Systems elected to adopt the Publicly Available Specification; PAS 2050 as published by the British Standards Institute and sponsored by Defra and the Carbon Trust. The PAS 2050 has gained international acceptance as a specification that measures the greenhouse gas emissions in services and goods throughout their entire life cycle.

Pre-Consumer Recycle Content

A measurement, in pounds, that qualifies the amount of material that was captured as waste and diverted from landfill during an initial manufacturing process and is being redirected to a separate manufacturing process to become a different product. E.g. 100% of our Aluminum Tubing is made from captured waste material during the manufacturing process of extruded Aluminum products such as rods, flat bars and H-channels.

Post-Consumer Recycle Content

A measurement, in pounds, that qualifies the amount of material that was once another product that has completed its lifecycle and has been diverted from a landfill as a solid waste through recycling and is now being used in a Playworld Systems' product. E.g. **20% to 40% of the steel in our steel tubing and sheet steel have been diverted from landfills. Automobiles are scrapped and recyclable steel is purchased by the steel mill that produces our raw product.

** The amount of Post-Consumer recycled steel fluctuates daily based on the availability of the recycled steel.

