

Hannah's Hideaway

500-2038

Equipment Manufacturer

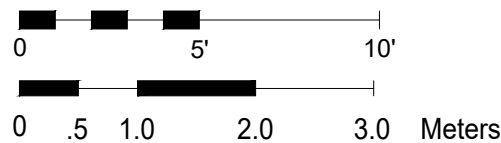
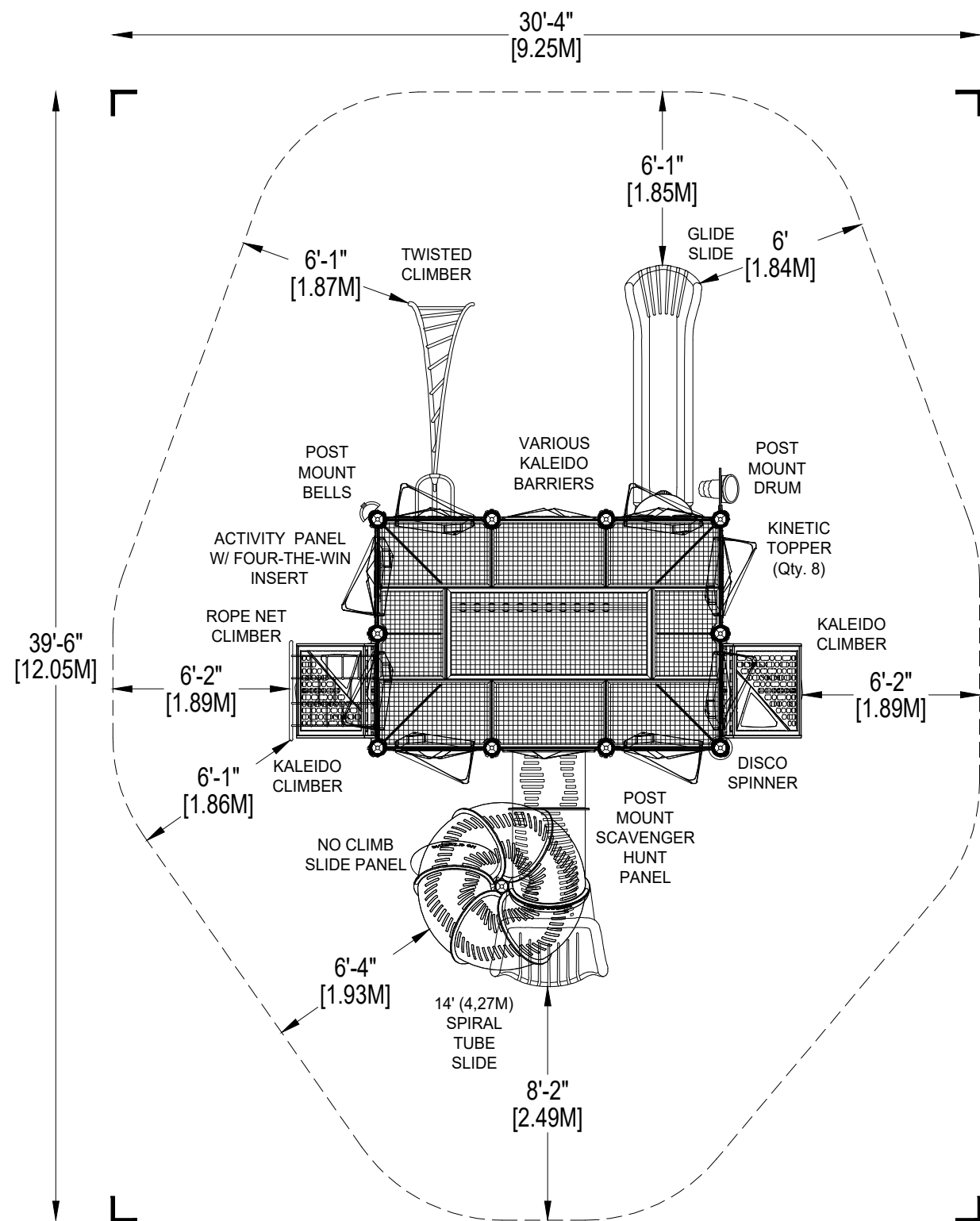


Hannah's Hideaway

500-2038

Equipment Manufacturer





*PLAYGROUND SUPERVISION REQUIRED



PLAYWORLD SYSTEMS, INC.

1000 Buffalo Road
Lewisburg, PA
17837-9795 USA

EQUIPMENT SIZE:

18'0" x 25'3" x 26'1"

5,49M x 7,7M x 7,95M

USE ZONE:

30'4" x 39'6"

9,25M x 12,05M

AREA:

933 SqFt.

86,68 SqM.

PERIMETER:

112 Ft.

34,14M

FALL HEIGHT:

8'6"

2,59M

USER CAPACITY:

53

AGE GROUP:

5-12

ADA SCHEDULE	Total Elevated Play Activities: 15		
	Total Ground-Level Play Activities: 6		
	Accessible Elevated Activities	Accessible Ground-Level Activities	Accessible Ground-Level Play Types
Required	8	5	3
Provided	15	6	4

✓ ASTM F1487-11

✓ CPSC #325



PROJECT NO:

500-2038

SCALE:

3/16"=1'-0"

DRAWN BY:

M. MERTZ

Paper Size

B

DATE:

16-JAN-20

HANNAH'S HIDEAWAY

CATALOG PRE-DESIGN

500-2038

Design Number: 500-2038 - Bill Of Material

Ref. No.	Part No.	Description	Quantity
Slides			
1	ZZPM2696	GLIDE SLIDE (72in DECK)	1
2	ZZUN3007	30in ROUND STRAIGHT TUBE SECTION	1
3	ZZUN3009	30in ROUND RIGHT TUBE SECTION	12
SkyTower Slides			
4	ZZPM3004	CONTAINED TUBE SLIDE ENTRY/ EXIT	1
5	ZZUN3011	DO NOT CLIMB- SLIDE PANEL	1
6	ZZUN3474	CTR POST & SUPPORT ARMS FOR 15ft & 14ft SPIRAL TUBE SLIDE	1
Activity Panels			
7	ZZPM4351	DISCO SPINNER	1
8	ZZPM4648	POST MOUNT SCAVENGER HUNT	1
9	ZZPM4671	PM PANEL FRAME- DECK LEVEL	1
10	ZZUN4676	FOUR-THE-WIN INSERT	1
Barriers			
11	ZZPM4190	SMALL HAND HOLD	2
SkyTower Barriers			
12	ZZPM4364	CONTAINMENT KALEIDOBARRIER 60in TALL- LEFT	2
13	ZZPM4372	CONTAINMENT KALEIDOBARRIER FOR 60in DECK SPAN- RIGHT	1
14	ZZPM4373	KALEIDOBARRIER 44in TALL- LEFT	1
15	ZZPM4374	KALEIDOBARRIER 44in TALL- RIGHT	7
16	ZZPM4381	KALEIDOBARRIER SET FOR 14ft CENTRAL TOWER	1
17	ZZUN6729	CONTAINMENT LEVEL FILLER BRACKET	2
Climbers			
18	ZZPM7166	7ft TWISTED CLIMBER	1
19	ZZPM7226	ROPE CLIMBER (36in DECK)	1
SkyTower Climbers			
20	ZZPM6730	KALEIDOCLIMBER	2
21	ZZPM6731	CENTRAL TOWER 14ft	1
Audible Activities			
22	ZZPM4557	8in BELL (POST MOUNT)	1
23	ZZPM4559	10in BELL (POST MOUNT)	1
24	ZZPM4649	POST MOUNT DRUM	1
Roofs & Arches			
25	ZZPM4454	KINETIC TOPPER- LEFT CLAMP AT 45 DEG	4
26	ZZPM4455	KINETIC TOPPER- RIGHT CLAMP AT 45 DEG	4
Additional Tool & Maintenance Kits			
27	ZZUN1471	INSTALLER HARDWARE KIT	1
28	ZZUN9910	SURFACING WARNING LABEL KIT	1
29	ZZUN9930	PIPE SYSTEMS MAINTENANCE KIT W/ AEROSOL	1
30	ZZXXGNGUIC	GENERAL INSTALLERS GUIDE	1



500-2038

Design Number: 500-2038 - Compliance and Technical Data

Reference Document: ASTM F1487

Ref. No.	Part No.	Qty.	Description	Unit ASTM Status	Total Weight (lbs)	Pre-Consumer Recycled Content (lbs)	Post-Consumer Content (lbs)	CO2e Footprint (kgs)	Users	Install Hours	Concrete (Yds3)	Active Play Events
1	ZZPM2696	1	GLIDE SLIDE (72in DECK)	Certified	163.44			678	2	1.50	0.03	1
2	ZZUN3007	1	30in ROUND STRAIGHT TUBE SECTION	Certified	26.02			181	0	0.25	0.00	0
3	ZZUN3009	12	30in ROUND RIGHT TUBE SECTION	Certified	312.24			2,173	0	3.00	0.00	0
4	ZZPM3004	1	CONTAINED TUBE SLIDE ENTRY/ EXIT	N/A	188.50			TBD	2	2.00	0.03	1
5	ZZUN3011	1	DO NOT CLIMB- SLIDE PANEL	N/A	37.70			TBD	0	0.50	0.00	0
6	ZZUN3474	1	CTR POST & SUPPORT ARMS FOR 15ft & 14ft SPIRAL TUBE SLIDE	N/A	220.40			689	0	2.50	0.12	0
7	ZZPM4351	1	DISCO SPINNER	Certified	16.00			TBD	1	0.50	0.00	1
8	ZZPM4648	1	POST MOUNT SCAVENGER HUNT	Certified	17.30			271	3	2.00	0.00	1
9	ZZPM4671	1	PM PANEL FRAME- DECK LEVEL	Certified	46.46			205	0	1.00	0.00	0
10	ZZUN4676	1	FOUR-THE-WIN INSERT	Certified	15.08			278	2	0.25	0.00	1
11	ZZPM4190	2	SMALL HAND HOLD	Certified	12.80			87	0	0.50	0.00	0
12	ZZPM4364	2	CONTAINMENT KALEIDOBARRIER 60in TALL- LEFT	N/A	135.20			TBD	0	2.00	0.00	0
13	ZZPM4372	1	CONTAINMENT KALEIDOBARRIER FOR 60in DECK SPAN- RIGHT	N/A	64.80			TBD	0	1.00	0.00	0
14	ZZPM4373	1	KALEIDOBARRIER 44in TALL- LEFT	N/A	53.40			TBD	0	1.00	0.00	0
15	ZZPM4374	7	KALEIDOBARRIER 44in TALL- RIGHT	N/A	373.80			TBD	0	7.00	0.00	0
16	ZZPM4381	1	KALEIDOBARRIER SET FOR 14ft CENTRAL TOWER	N/A	1,119.90			TBD	0	25.00	0.00	0
17	ZZUN6729	2	CONTAINMENT LEVEL FILLER BRACKET	N/A	24.20			TBD	0	1.00	0.00	0
18	ZZPM7166	1	7ft TWISTED CLIMBER	Certified	135.25			259	2	2.00	0.60	1
19	ZZPM7226	1	ROPE CLIMBER (36in DECK)	Certified	58.78			1,399	2	2.00	0.06	1
20	ZZPM6730	2	KALEIDOCCLIMBER	N/A	819.80			TBD	4	4.00	0.00	2
21	ZZPM6731	1	CENTRAL TOWER 14ft	N/A	7,270.50			TBD	32	50.00	0.00	8
22	ZZPM4557	1	8in BELL (POST MOUNT)	Certified	5.47			45	1	0.25	0.00	1
23	ZZPM4559	1	10in BELL (POST MOUNT)	Certified	7.19			50	1	0.25	0.00	1
24	ZZPM4649	1	POST MOUNT DRUM	Certified	14.22			174	1	0.50	0.00	1
25	ZZPM4454	4	KINETIC TOPPER- LEFT CLAMP AT 45 DEG	N/A	207.60			TBD	0	12.00	0.00	0



500-2038

Design Number: 500-2038 - Compliance and Technical Data

Reference Document: ASTM F1487

Ref. No.	Part No.	Qty.	Description	Unit ASTM Status	Total Weight (lbs)	Pre-Consumer Recycled Content (lbs)	Post-Consumer Content (lbs)	CO2e Footprint (kgs)	Users	Install Hours	Concrete (Yds3)	Active Play Events
26	ZZPM4455	4	KINETIC TOPPER- RIGHT CLAMP AT 45 DEG	N/A	207.60			TBD	0	12.00	0.00	0
27	ZZUN1471	1	INSTALLER HARDWARE KIT	N/A				57				
28	ZZUN9910	1	SURFACING WARNING LABEL KIT	Certified	0.05			1	0	0.25	0.00	0
29	ZZUN9930	1	PIPE SYSTEMS MAINTENANCE KIT W/ AEROSOL	N/A				90				
30	ZZXXGNGUID	1	GENERAL INSTALLERS GUIDE	N/A				1				
Totals:					11,553.70	117	194	6,637	53	134.25	0.84	20
					5,199.17 Kg	53 Kg	87 Kg	7 Metric Tons			0.64 m3	



500-2038

Design Number: 500-2038 - Compliance and Technical Data

Reference Document: ASTM F1487

Ref. No.	Part No.	Qty.	Description	Unit ASTM Status	Total Weight (lbs)	Pre-Consumer Recycled Content (lbs)	Post-Consumer Content (lbs)	CO2e Footprint (kgs)	Users	Install Hours	Concrete (Yds3)	Active Play Events
----------	----------	------	-------------	------------------	--------------------	-------------------------------------	-----------------------------	----------------------	-------	---------------	-----------------	--------------------

ASTM F1487

The lay-out for this custom playscape, design number 500-2038, has been configured to meet the requirements of the ASTM F1487 standard. In addition, each of the above components listed as "Certified" have been tested and are IPEMA certified. Components listed as "Not Applicable" do not fall within the scope of the ASTM F1487 standard and have not been tested. IPEMA certification can be verified on the IPEMA website, www.ipema.org. In the interest of playground safety, IPEMA provides a Third Party Certification Service which validates compliance.

2010 ADA Standards for Accessible Design

The lay-out was also designed to meet the 2010 Standards published 15-Sep-2010, by the Department of Justice when installed over a properly maintained surfacing material that is in compliance with ASTM F1951 "Accessibility of Surface Systems Under and Around Playground Equipment" as well as ASTM F1292, "Impact Attenuation of Surfacing Materials Within the Use Zone of Playground Equipment", appropriate for the fall height of the structure.

Installation Times

Installation times are based on one experienced installer. A crew of three experienced individuals can perform the installation within the given time, each member working 1/3 of the given hours. [Eg. Installation Time = 30 hours. For a crew of three, each member will work 10 hours on the installation for a total of 30 hours on the project.]

Carbon Footprint

The CO2e (carbon footprint given in Kilograms and Metric Tons) listed above is a measure of the environmental impact this play structure represents from harvesting raw materials to the time it leaves our shipping dock. Playworld Systems nurtures a total corporate culture that is focused on eliminating carbon producing processes and products, reducing our use of precious raw materials, reusing materials whenever possible and recycling materials at every opportunity. Playworld Systems elected to adopt the Publicly Available Specification; PAS 2050 as published by the British Standards Institute and sponsored by Defra and the Carbon Trust. The PAS 2050 has gained international acceptance as a specification that measures the greenhouse gas emissions in services and goods throughout their entire life cycle.

Pre-Consumer Recycle Content

A measurement, in pounds, that qualifies the amount of material that was captured as waste and diverted from landfill during an initial manufacturing process and is being redirected to a separate manufacturing process to become a different product. E.g. 100% of our Aluminum Tubing is made from captured waste material during the manufacturing process of extruded Aluminum products such as rods, flat bars and H-channels.

Post-Consumer Recycle Content

A measurement, in pounds, that qualifies the amount of material that was once another product that has completed its lifecycle and has been diverted from a landfill as a solid waste through recycling and is now being used in a Playworld Systems' product. E.g. **20% to 40% of the steel in our steel tubing and sheet steel have been diverted from landfills. Automobiles are scrapped and recyclable steel is purchased by the steel mill that produces our raw product.

** The amount of Post-Consumer recycled steel fluctuates daily based on the availability of the recycled steel.

